

Order Code: 100014891

# Wall Mount PDW T XL-2

## Mount for Sharp/NEC Large Format Displays

Universal X-Large wall mount with tilt function for NEC Large Format Displays from 55" to 65"

The PDW T XL-2 delivers enhanced display compatibility, accommodating Large Format Displays for use in either landscape or portrait mode. Its open wall plate architecture delivers placement flexibility and increased electrical and cable management access. Unique pre-tensioned tilt display adapters provide one-touch tilt viewing angle adjustment completing the perfect flat panel installation.

Mount PDW T XL-2 side view



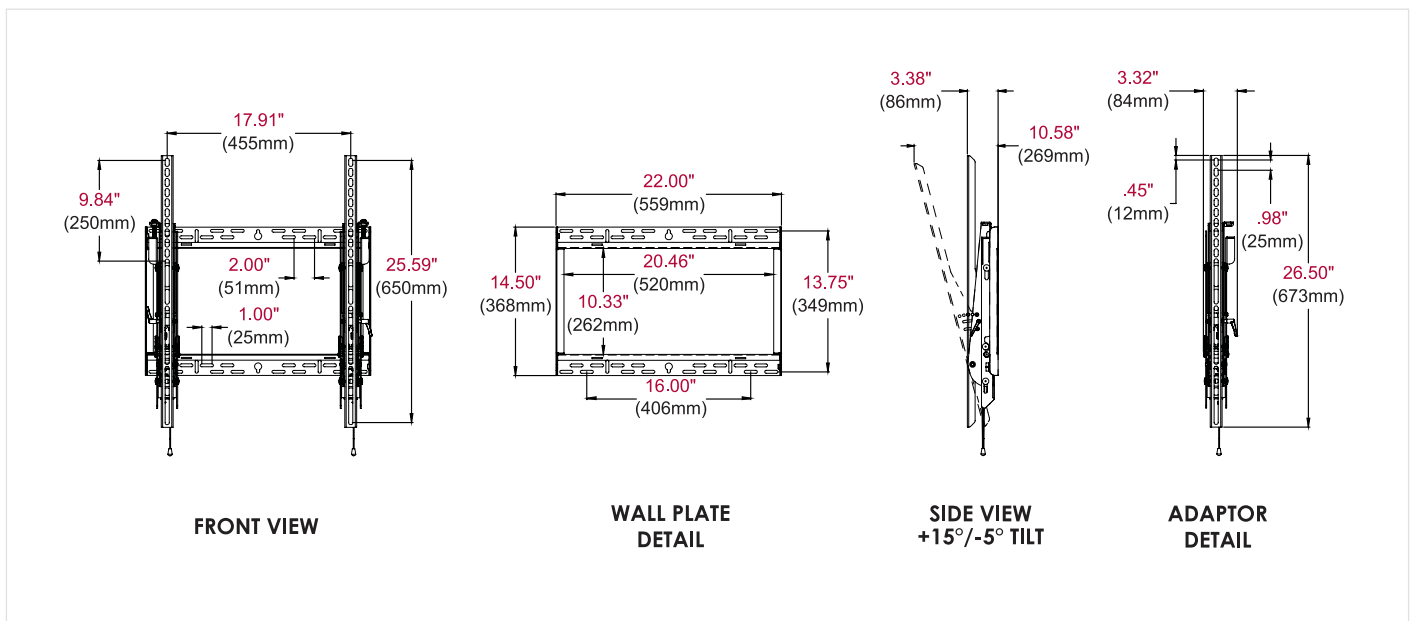
PDW T XL-2 front view



### Delivering Genuine Benefits

- Only one mount for landscape and portrait orientation
- Universal display adapters easily hook onto wall plate for fast installation
- Tilt adjustment up to 15° of forward tilt and -5° backward tilt for optimal viewing angle
- Offers pre-set tilt positions of -5°, 0°, 5°, 10°, 15°
- Pre-tensioned universal tilt display adapters allow for tilt adjustment without the use of tools
- Easy-grip lever locks the display position into place
- Integrated security options available

## Technical Drawings



## Technical Specifications

Order Codes	
Mount PDW T XL-2	100014891
Max. Load Capacity [Kg]	102.0
Recommended Display Size	158
Orientation	55" to 65"
VESA Pattern [mm]	Landscape and Portrait
Min. Depth of mount [mm]	Up to 400 x 400
Tilt Function	77
Product Weight [kg]	-5° To +15°
Shipping Weight [kg]	6.25
Product Dimension (mm)	6.3
Package Dimension [mm]	559 x 673 x 86-269
Shipping Content	725 x 105 x 395
Supported NEC Large Format Displays	2x Display adapter bracket (right/left), 1x Wall plate, Screws (incl. spacers and washers) for installing the display, 4x Wood screw (incl. 8mm concrete anchor), 1x 4mm Allen wrench
Warranty	55" to 65" NEC Large Format Displays
For additional pictures and Solutions overview, Visit <a href="http://www.sharpnecdisplays.eu">www.sharpnecdisplays.eu</a> for details.	

**NEC Display Solutions Europe GmbH**  
 Landshuter Allee 12-14, D-80637 München  
 infomail.sndse@sharp.eu  
 Phone: +49 (0) 89 99 699-0  
 Fax: +49 (0) 89 99 699-500  
[www.sharpnecdisplays.eu](http://www.sharpnecdisplays.eu)