

Order Code: 100014081 / 40001424

PD02MHA / PD02MHA-CB86

Mobile, Motorised, height-adjustable Mount

Mobile, Motorised, Height-Adjustable Mount for NEC Large Format Displays

The very stable design is perfect for large heavy displays and touch-sensitive displays. The motorised height adjustment ensures the user to present or interact with the display in an ergonomic position, whether very tall, short, standing up or sitting down. Thanks to the wheels, it is easy to move the unit between different rooms. The design includes a storage box for e.g. mini PC, codec or laptop, easily accessed from the front.



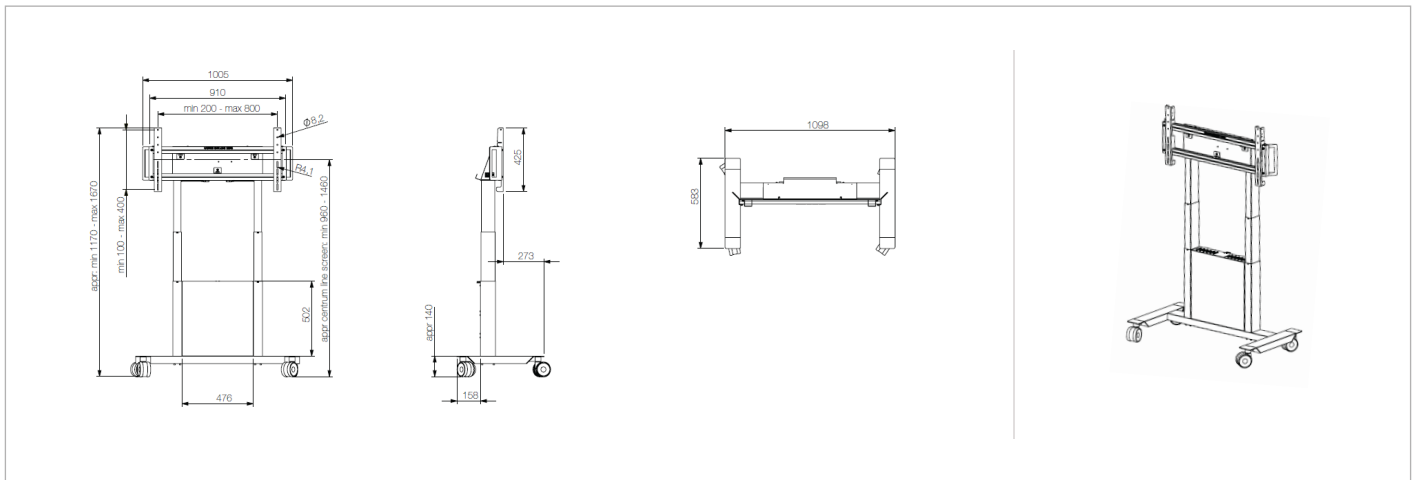
PD02MHA front view

Delivering Genuine Benefits

- Motorised height-adjustment
- Especially designed for usage with touch displays
- Professional cable management inside main body
- Storage space for equipment
- Easy to move (large handles as standard)
- Lockable 100mm casters enable safe and easy maneuverability over various flooring surfaces
- Highly preassembled to make installation quick and easy



Technical Drawings



Technical Specifications

| | |
|---|--|
| Order Code | |
| PD02MHA | 100014081 |
| PD02MHA-CB86 | 40001424 |
| Max. load capacity (kg) | 120 |
| Recommended display size | 46" to 98" |
| Orientation | Landscape |
| Height adjustment (mm) | 500 |
| Storage box dimensions (mm): | 496 x 472 x 96 |
| VESA pattern (mm) | PD02MHA: 200 x 200 to 800 x 400; PD02MHA-CB86: 200 x 200 to 800 x 600 |
| Product weight (kg) | 51 |
| Shipping weight (kg) | 52 |
| Package dimension (mm) | 1120 x 790 x 205 |
| Shipping Content | Main body of trolley incl. electric motor, Foot incl. 100mm casters, Handles, Remote control with cable, VESA mounting bars. PD02MHA-CB86: 800 x 600 VESA mounting bars |
| Finish | Black |
| Supported NEC Large Format Displays | PD02MHA: All Large Format Displays from 46" to 98" (up to 120kg) - except CB861Q PD02MHA-CB86: CB861Q |
| Warranty | 2 years |
| For additional pictures and Solutions overview, Visit www.nec-display-solutions.com for details. | |

NEC Display Solutions Europe GmbH
 Landshuter Allee 12-14, D-80637 München
 infomail@nec-displays.com
 Phone: +49 (0) 89 99 699-0
 Fax: +49 (0) 89 99 699-500
www.nec-display-solutions.com